

MVQE series

QUICK EXHAUST VALVE



Features:

- This unit makes it possible to achieve increased piston speeds on the exhaust stroke with single acting and double acting cylinders.

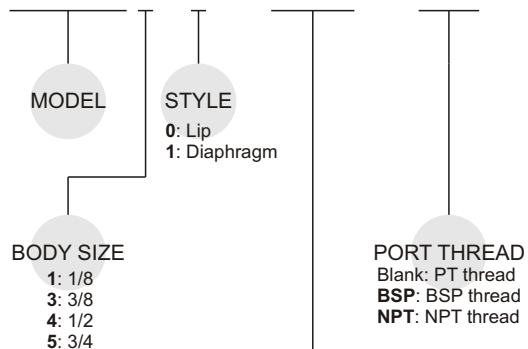
Specification:

Model	MVQE
Medium	Air
Operating pressure range	1~9.9 kgf/cm ² (0.1~0.99 MPa)
Proof pressure	15 kgf/cm ² (1.5 MPa)
Ambient temperature	- 5~ + 60℃ (No freezing)

Model	Port size	Effective orifice(mm ²)		Weight
		IN→OUT	OUT→EXH	
MVQE100-6A	PT 1/8	9	19	40 g
MVQE300-8A	PT 1/4	24	31	100 g
MVQE300-10A	PT 3/8	25	33	80 g
MVQE301-10A	PT 3/8	60	70	230 g
MVQE301-15A	PT 1/2	110	110	212 g
MVQE400-15A	PT 1/2	46	46	240 g
MVQE501-20A	PT 3/4	135	180	765 g
MVQE501-25A	PT 1	176	187	695 g

Order example:

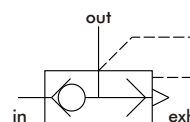
MVQE300 – 10A – BSP



BORE SIZE

Bore size	Applicable series
6A PT 1/8	MVQE100
8A PT 1/4	MVQE300
10A PT 3/8	MVQE300, MVQE301
15A PT 1/2	MVQE301, MVQE400
20A PT 3/4	MVQE501
25A PT 1	

Symbol:

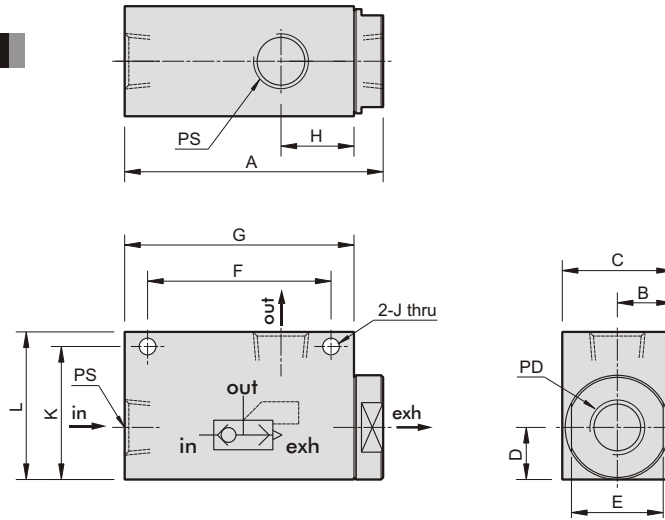


MVQE

QUICK EXHAUST VALVE

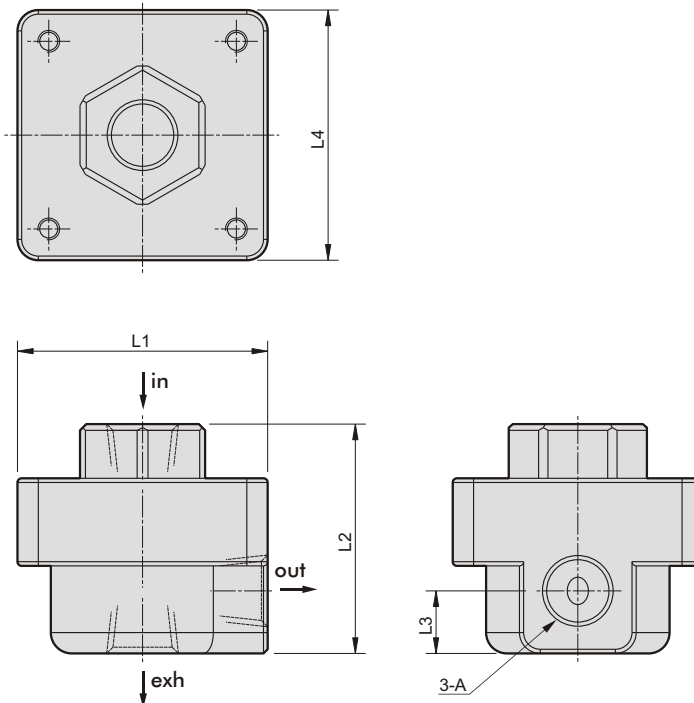


MVQE100/300/400



Code Model	A	B	C	D	E	F	G	H	J	K	L	PS	PD	
MVQE100	6A	40	8.25	16.5	9	14	26	35	12	φ 3.4	22.6	26	PT 1/8	PT 1/8
	8A	62	13.2	26.4	13	22	45	55	17.5	φ 4	29.5	35.4	PT 1/4	PT 3/8
MVQE300	10A	62	13.2	26.4	13	22	45	55	17.5	φ 4	29.5	35.4	PT 3/8	PT 3/8
	15A	69	20	40	20	36	51	62	20	φ 4	46	52	PT 1/2	PT 1/2

MVQE301/501



Code Model	A	L1	L2	L3	L4	
MVQE301	10A	PT 3/8	60	55	15	60
	15A	PT 1/2	60	55	15	60
MVQE501	20A	PT 3/4	90	82.5	23	90
	25A	PT 1	90	82.5	23	90